


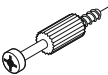


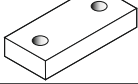

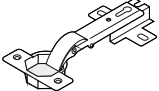




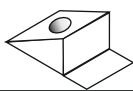



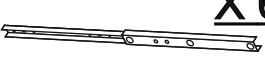
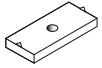

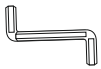

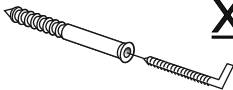



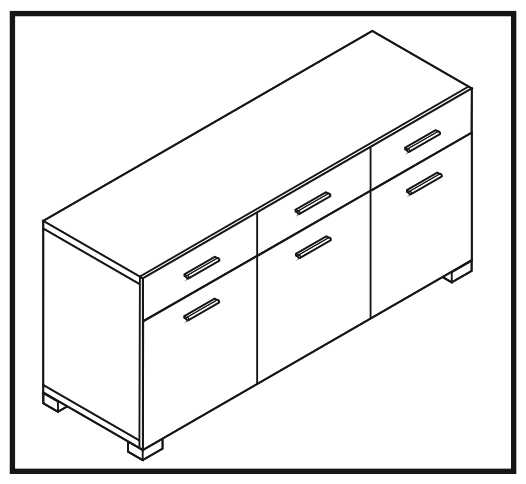
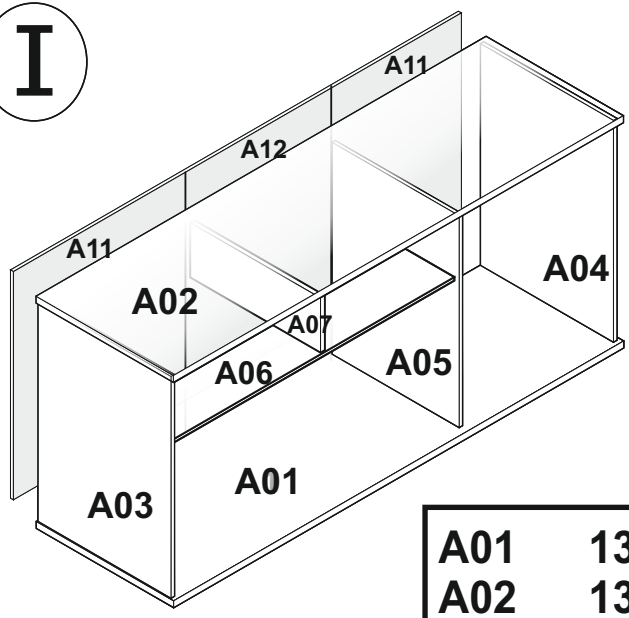
1	 8x35	<u>X 14</u>
22	 7x50	<u>X 20</u>
22A		<u>X 20</u>
2		<u>X 16</u>
9		<u>X 10</u>
9A		<u>X 10</u>

10		<u>X 5</u>
13		<u>X 8</u>
5		<u>X 4</u>
25	 M 4 X 9	<u>X 6</u>
3		<u>X 6</u>
29P		<u>x 2</u>

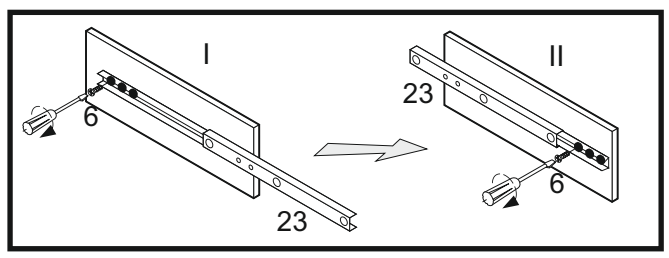
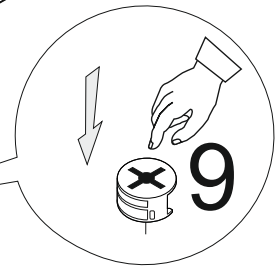
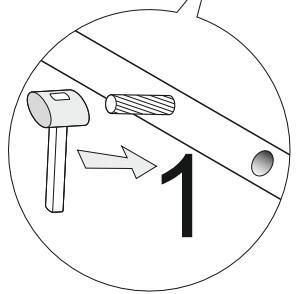
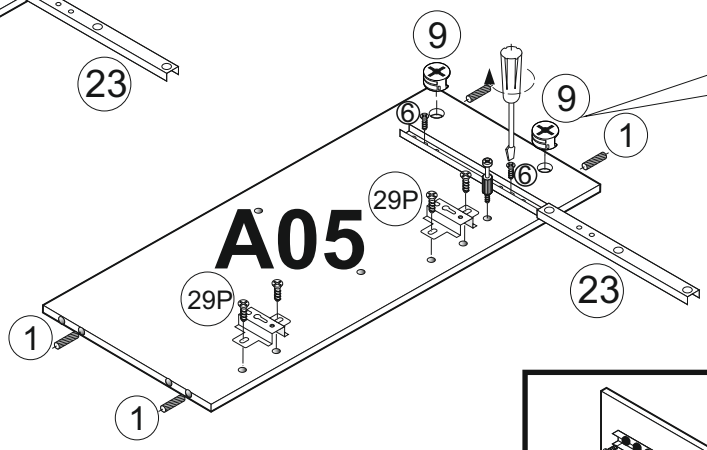
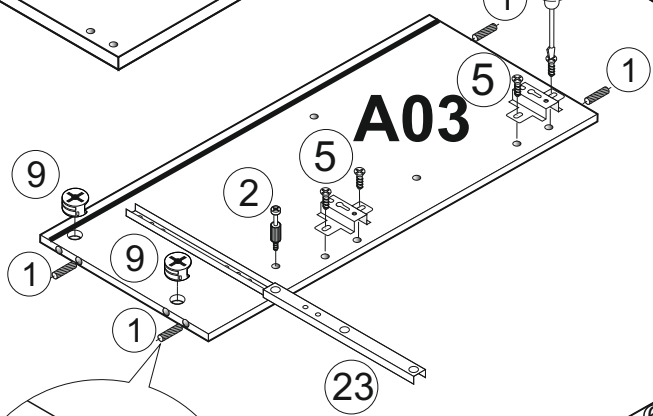
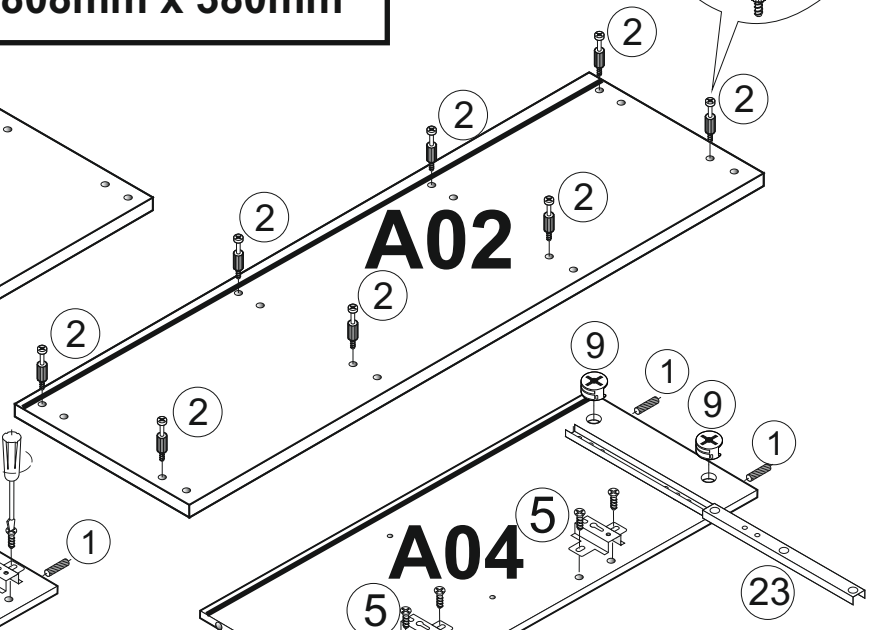
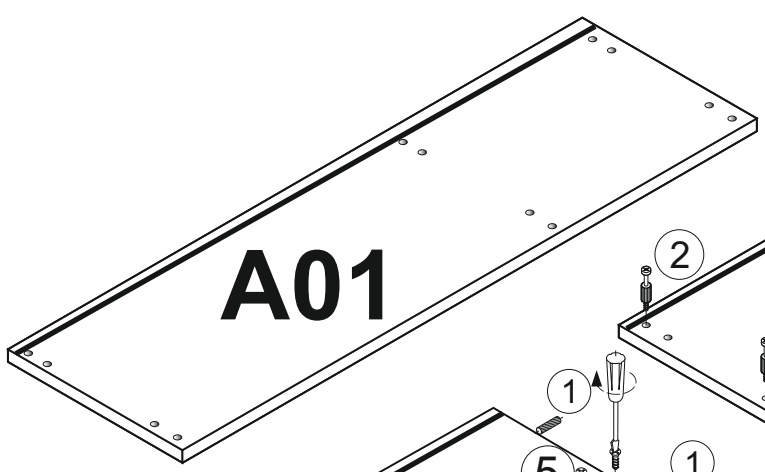
4	 3.5x30	<u>X 12</u>
38		<u>X 13</u>
39	 3x20	<u>X 35</u>
24		<u>X 6</u>
4A	 4x16	<u>X 2</u>
23		<u>X 6</u>

35		<u>X 7</u>
41		<u>X 2</u>
26		<u>X 1</u>
6	 5x11	<u>X 34</u>
80		<u>X 2</u>
60	 670 mm	<u>X 1</u>

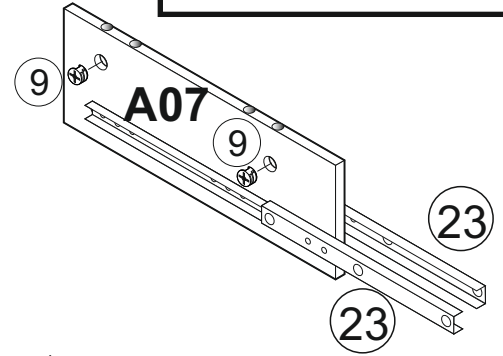
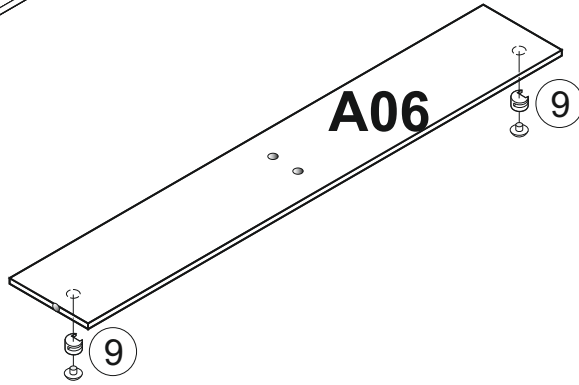
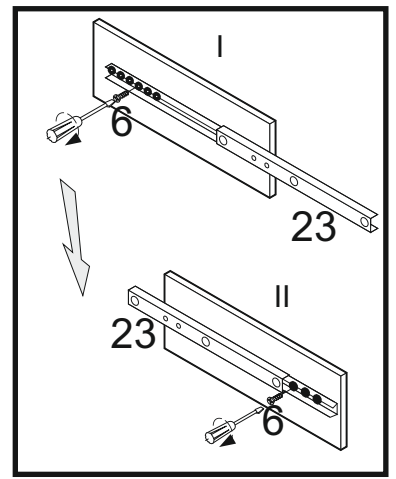
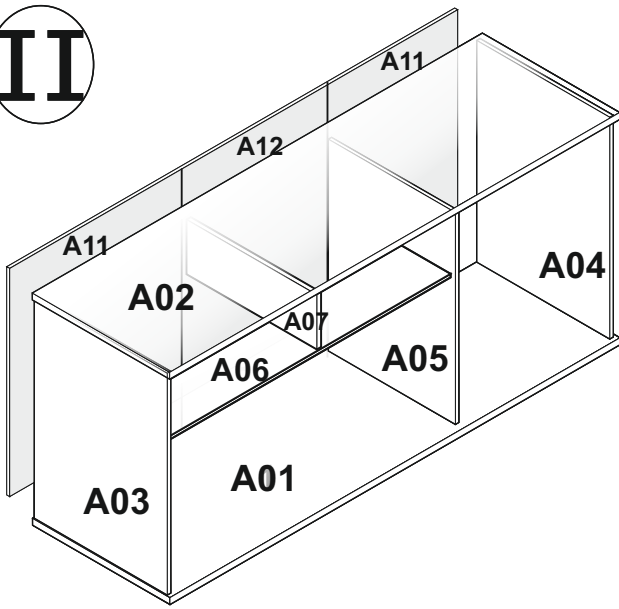
# I



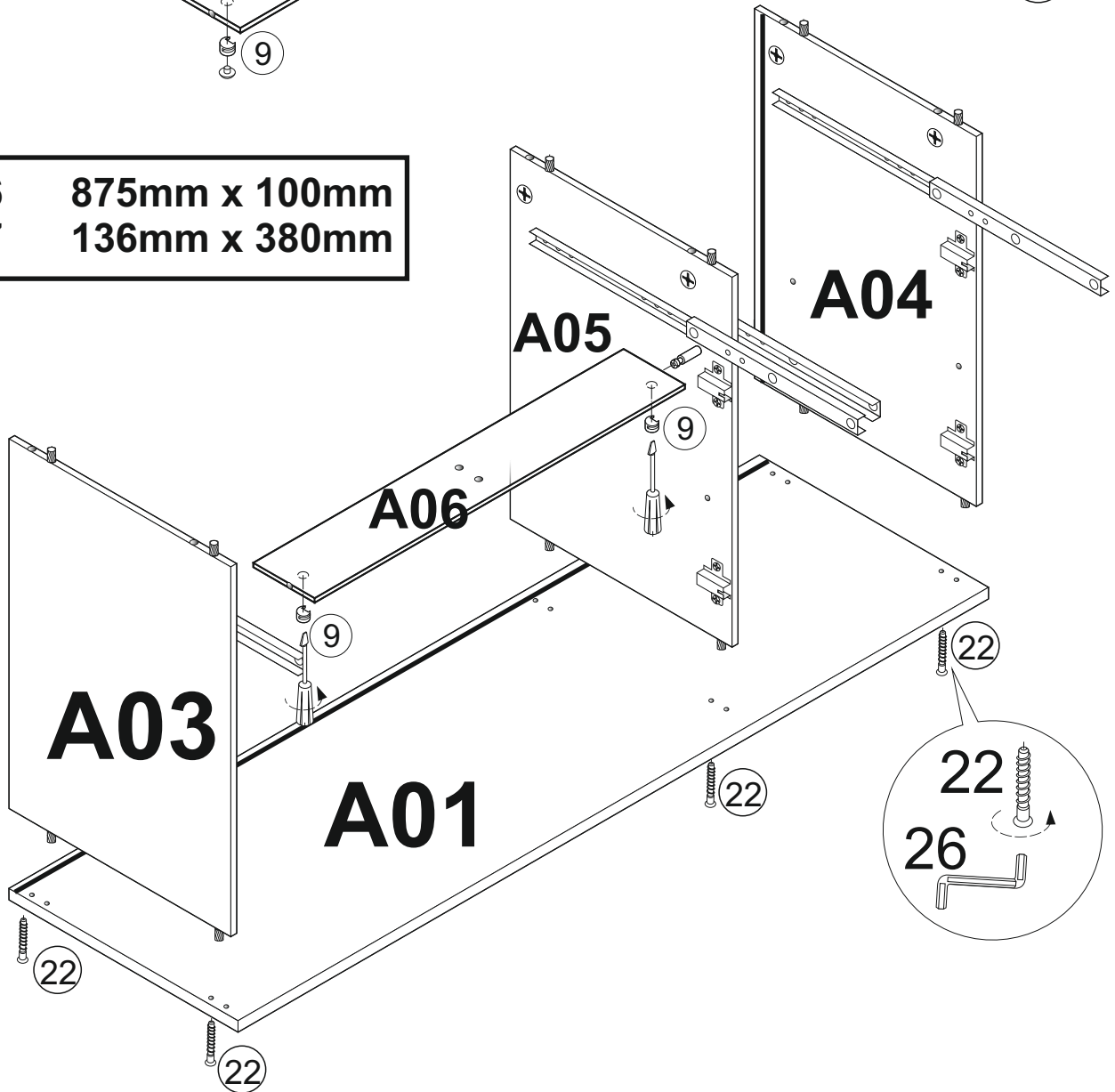
<b>A01</b>	<b>1351mm x 400mm</b>
<b>A02</b>	<b>1351mm x 400mm</b>
<b>A03</b>	<b>808mm x 400mm</b>
<b>A04</b>	<b>808mm x 400mm</b>
<b>A05</b>	<b>808mm x 380mm</b>



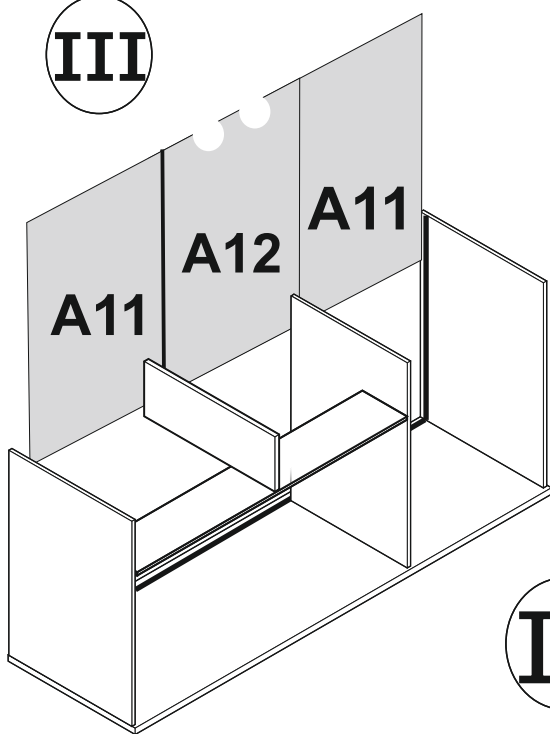
II



A06	875mm x 100mm
A07	136mm x 380mm

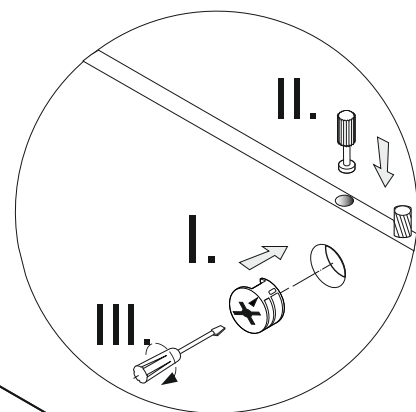
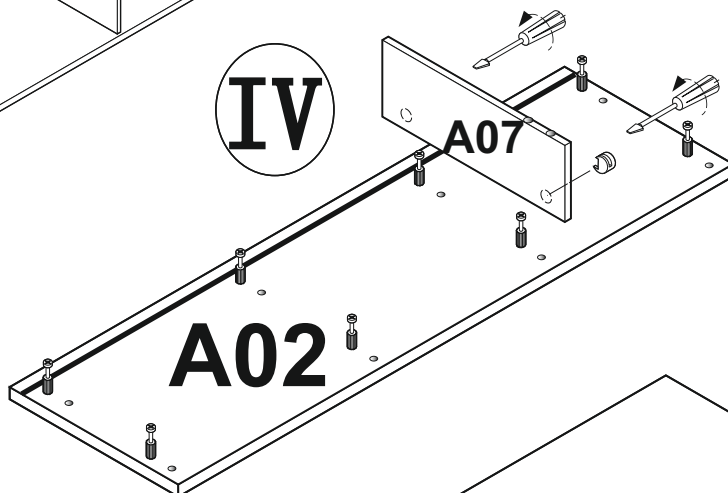


**III**

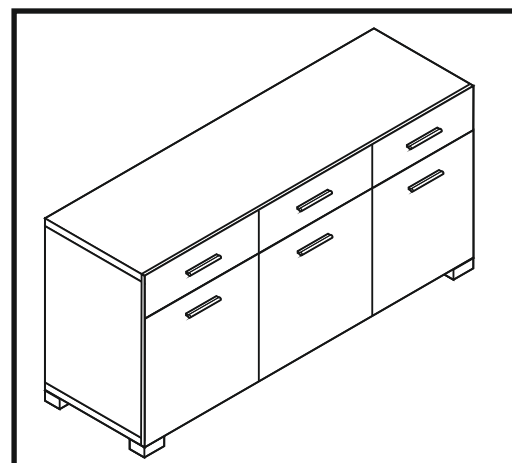
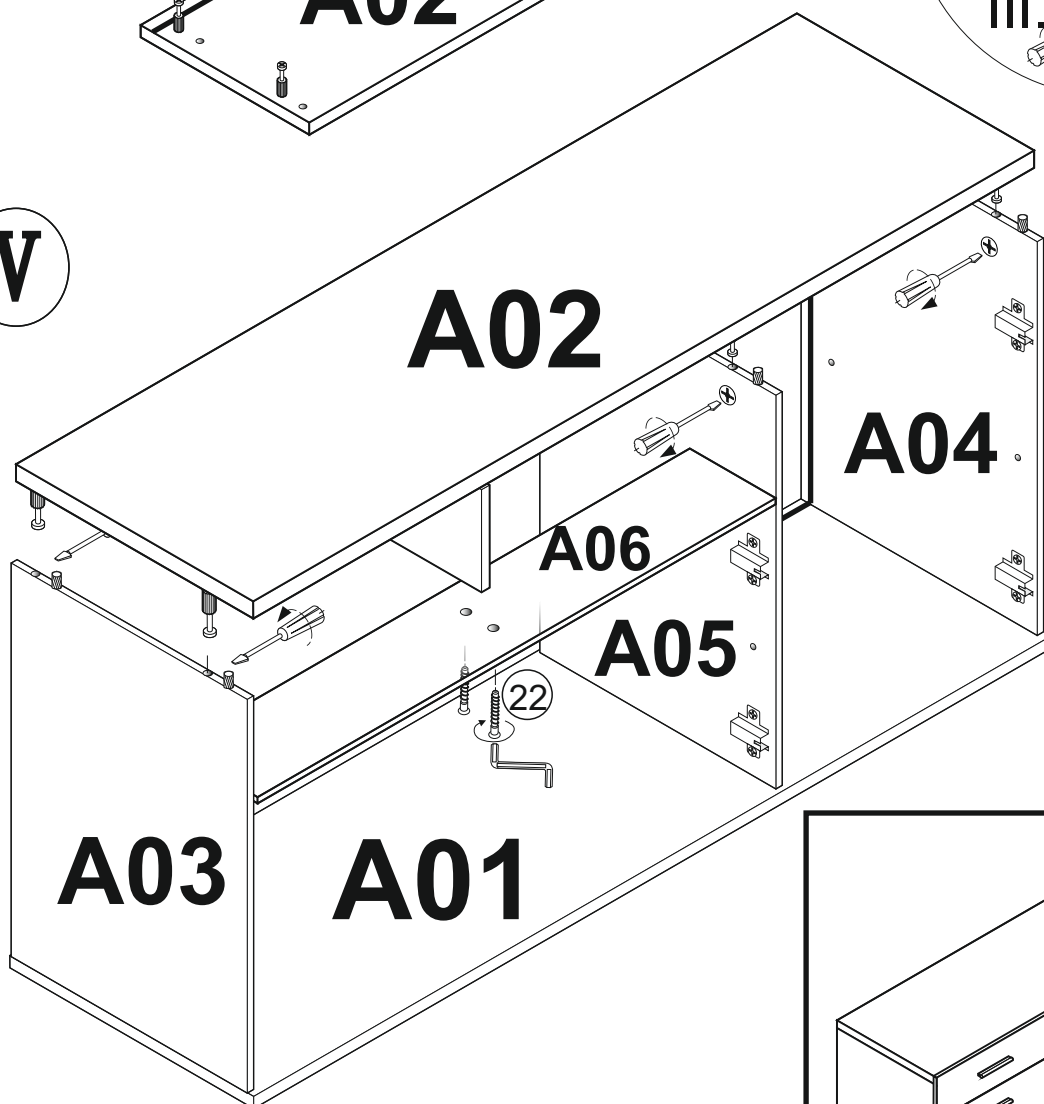


<b>A11</b>	<b>818mm x 438mm</b>
<b>A12</b>	<b>818mm x 450mm</b>

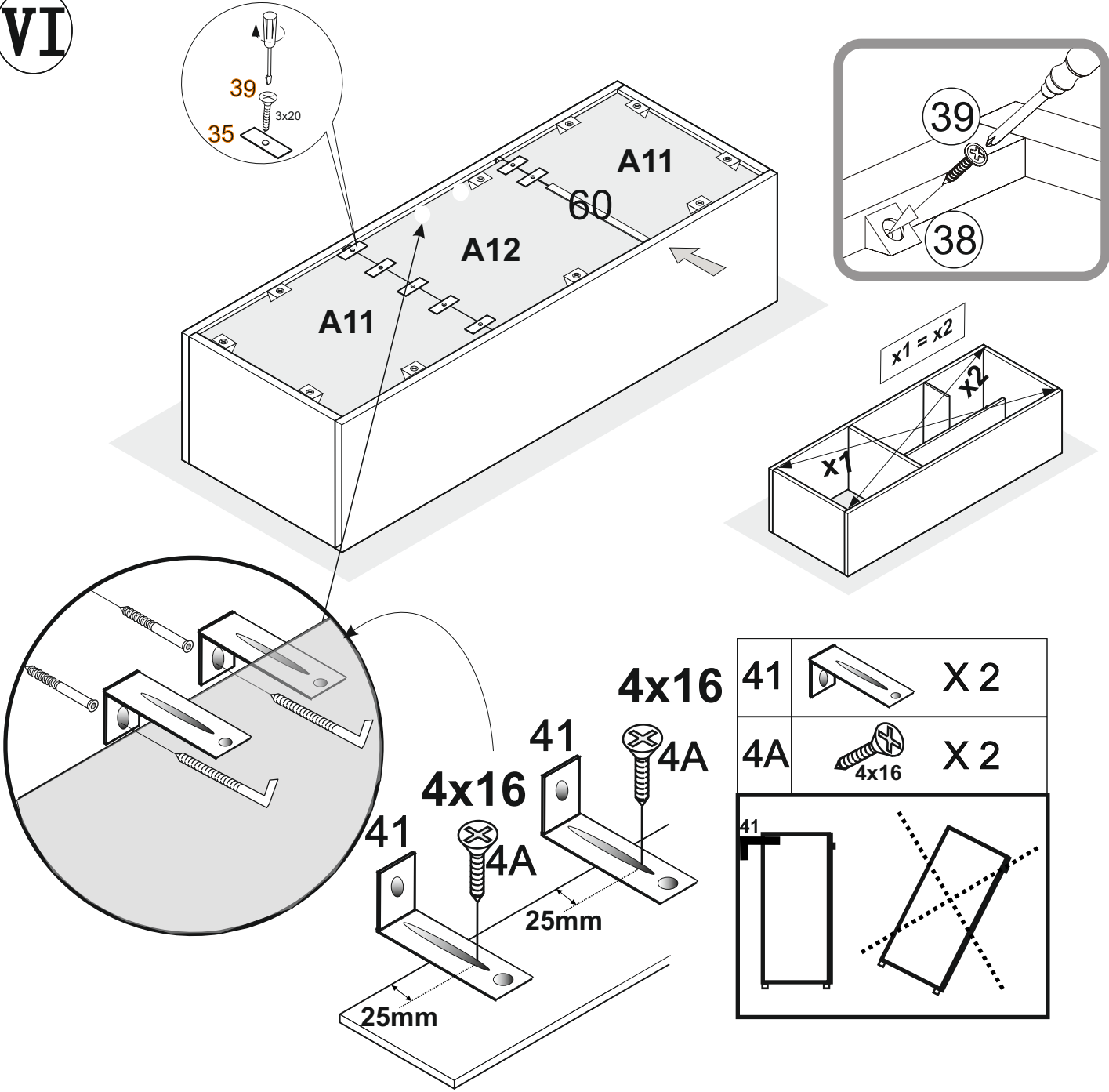
**IV**



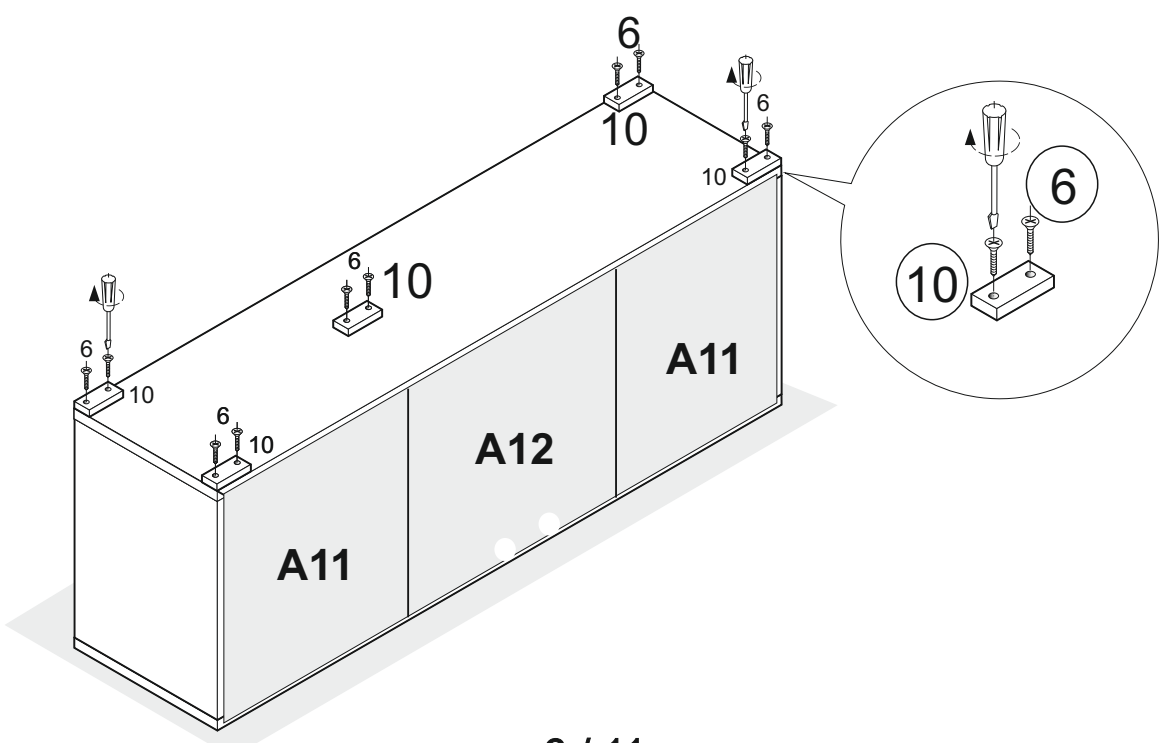
**V**



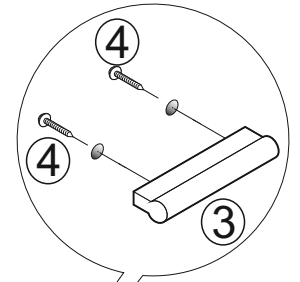
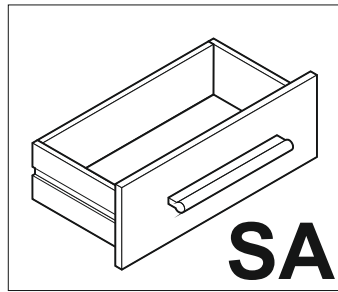
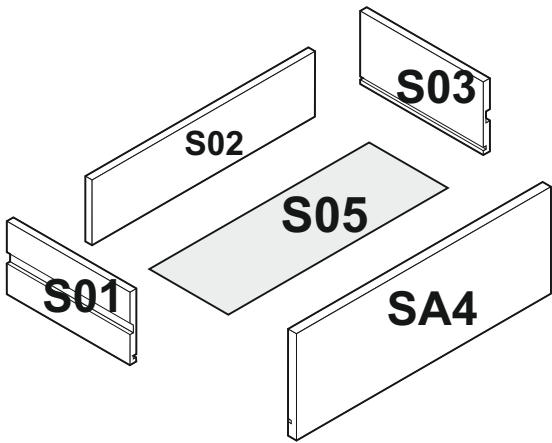
# VI



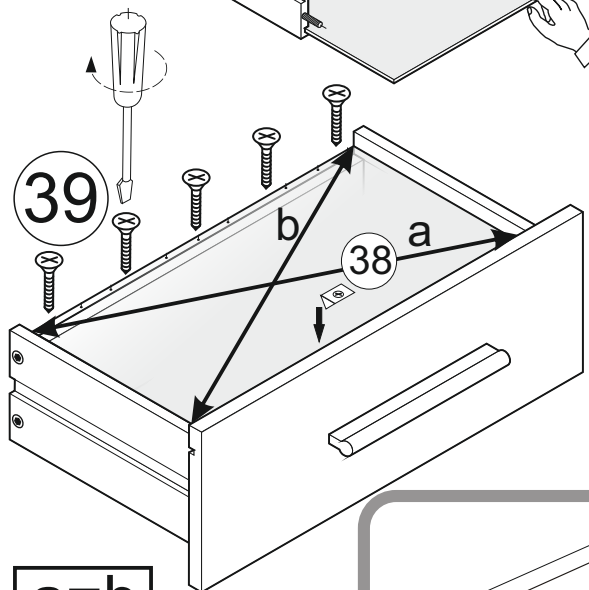
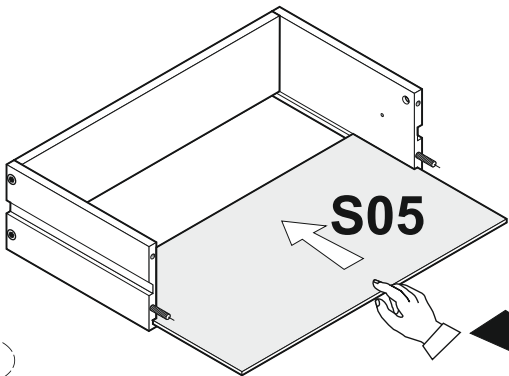
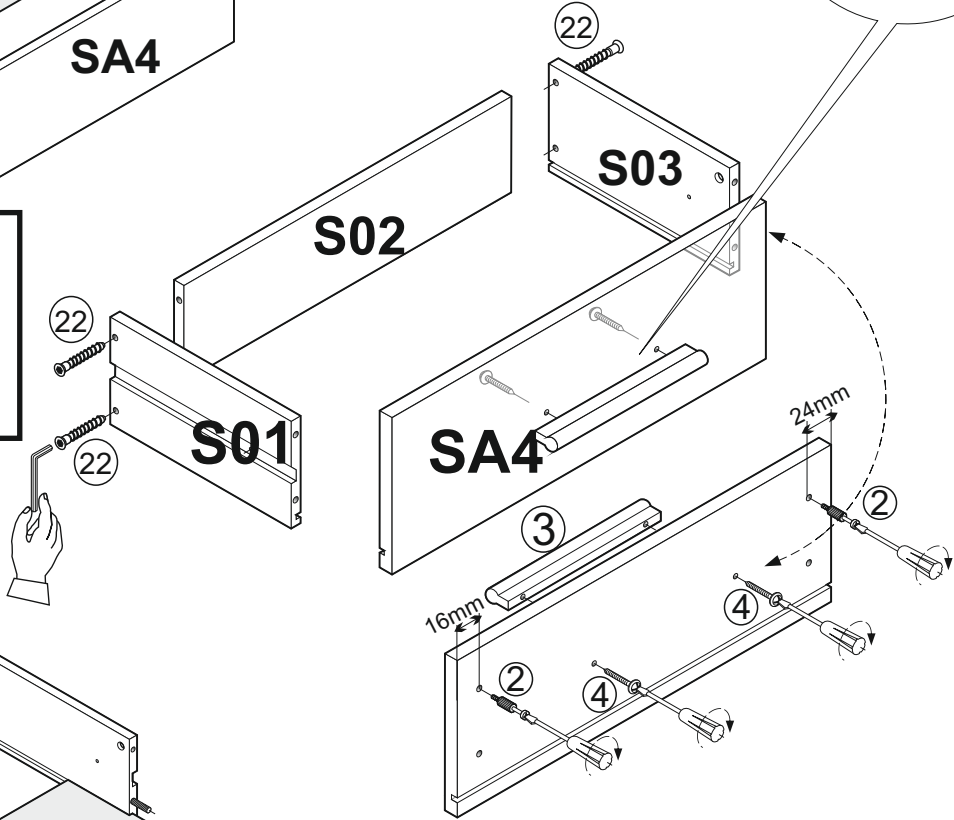
# VII



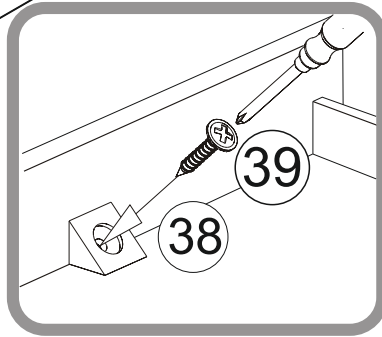
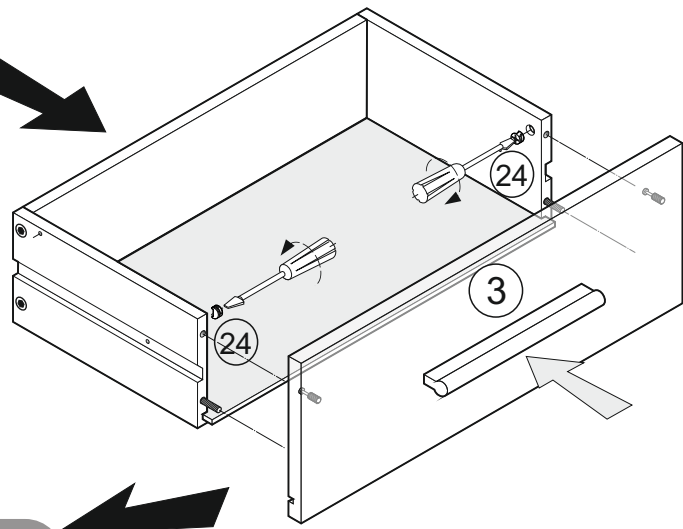
# VIII



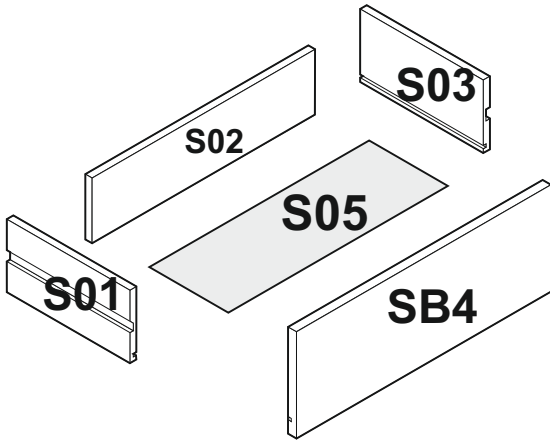
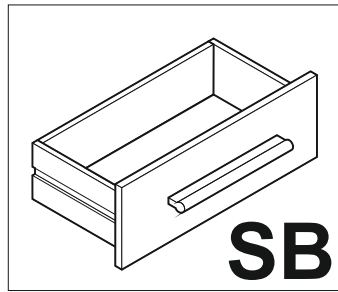
SA4	446mm x 156mm
S01	375mm x 100mm
S02	393mm x 85mm
S03	375mm x 100mm
S05	405mm x 378mm



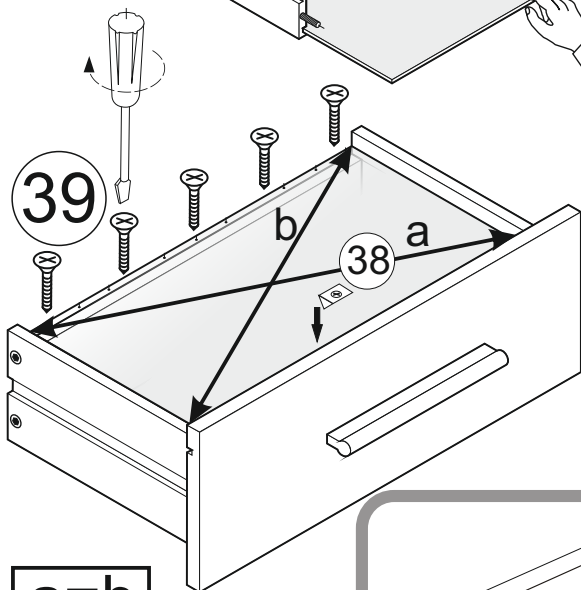
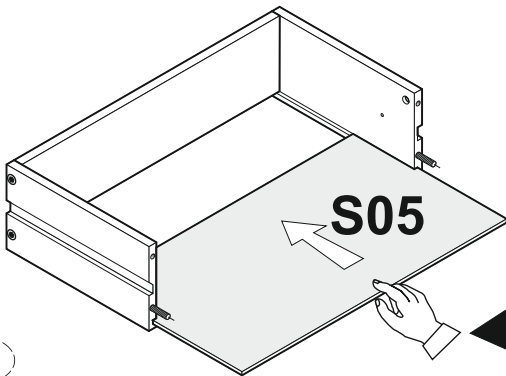
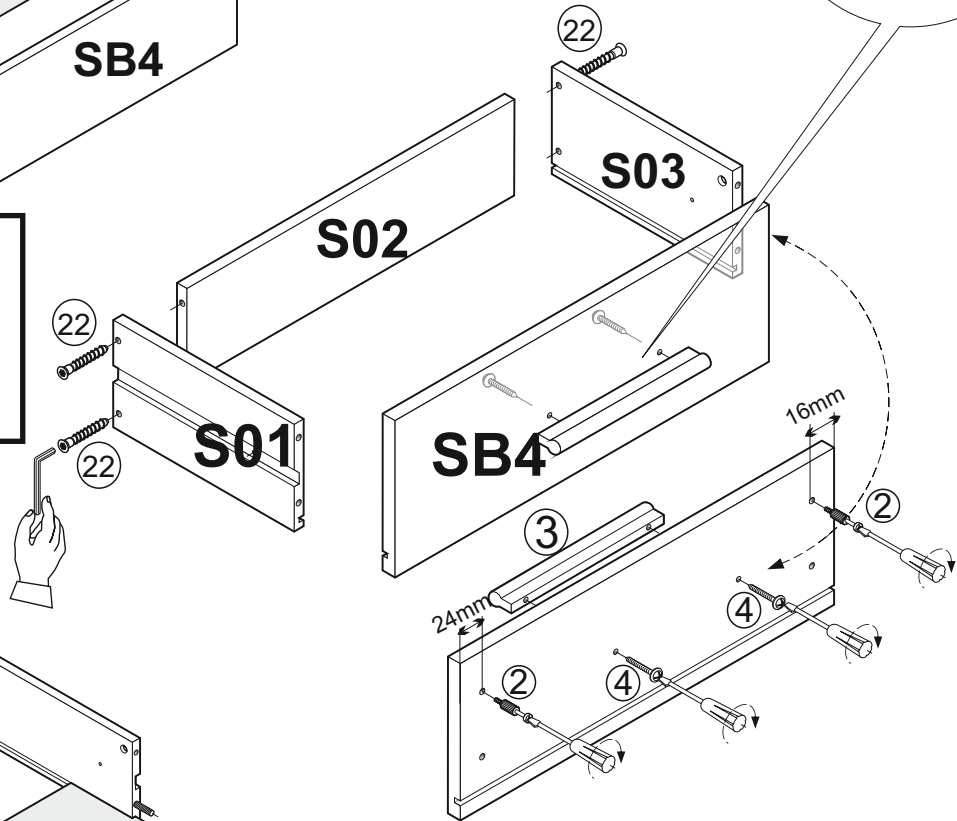
a=b



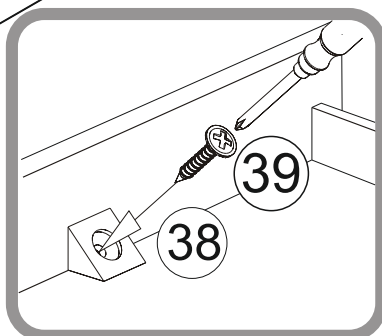
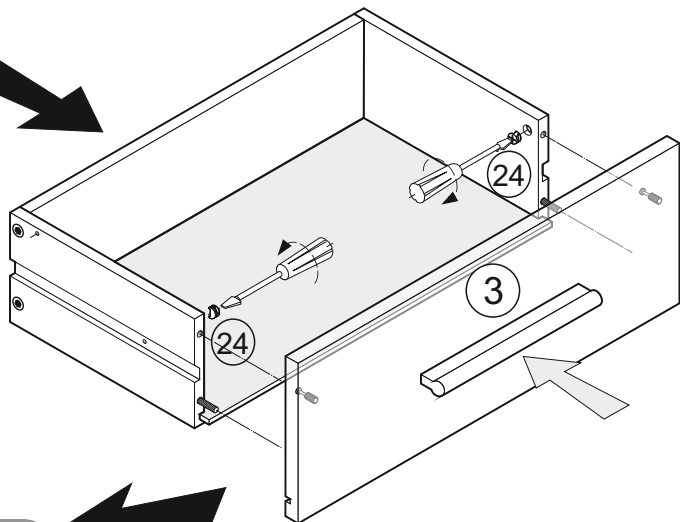
# IX



<b>SB4</b>	446mm x 156mm
<b>S01</b>	375mm x 100mm
<b>S02</b>	393mm x 85mm
<b>S03</b>	375mm x 100mm
<b>S05</b>	405mm x 378mm

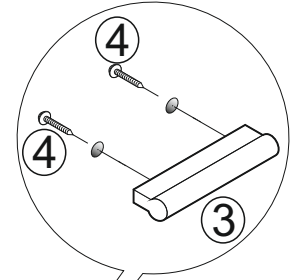
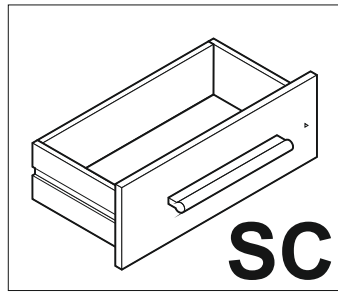
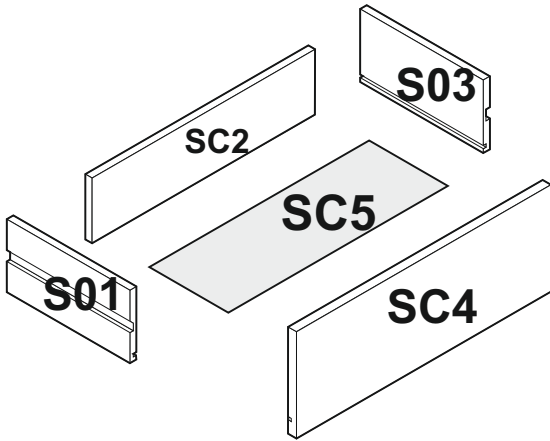


**a=b**

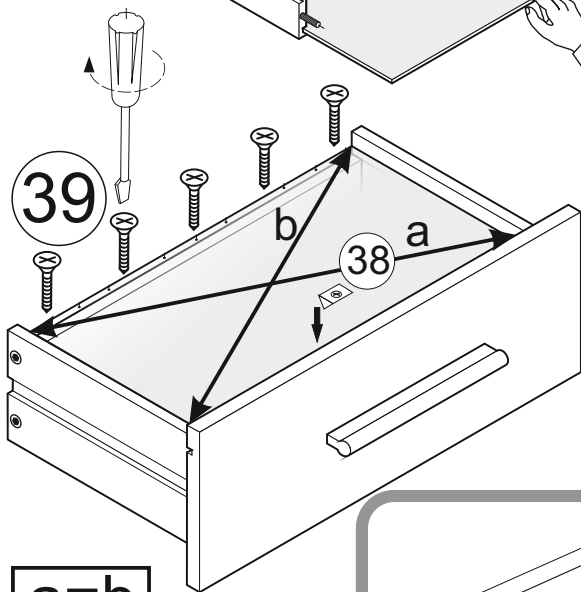
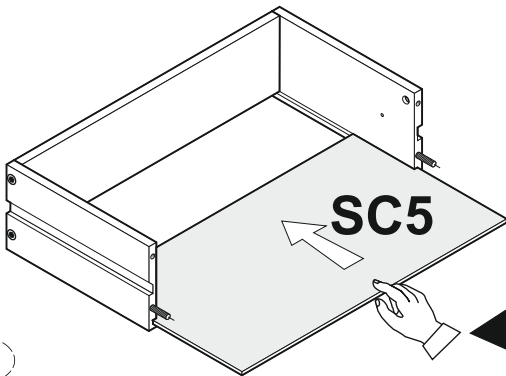
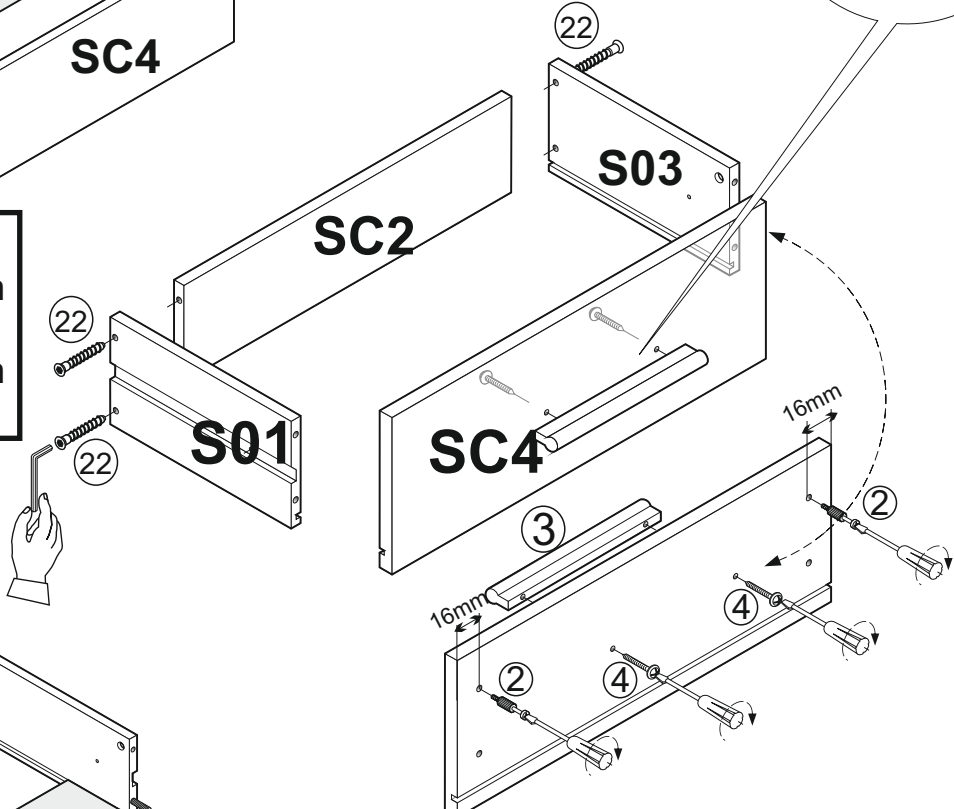




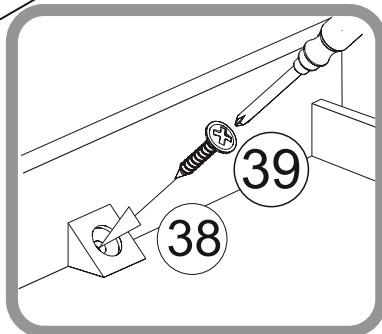
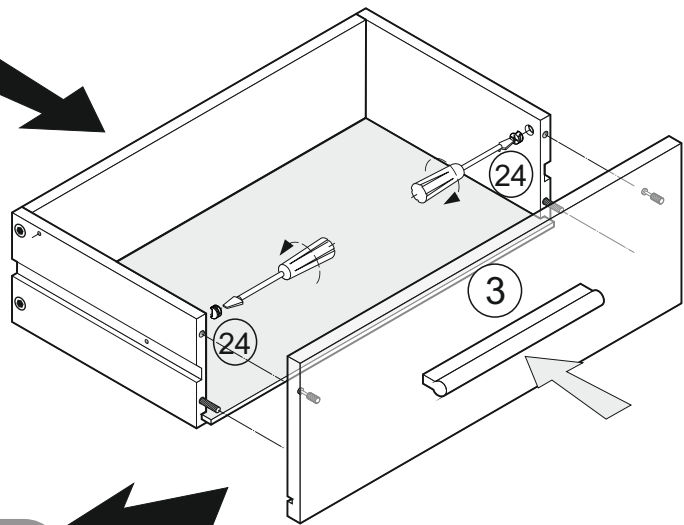
**X**



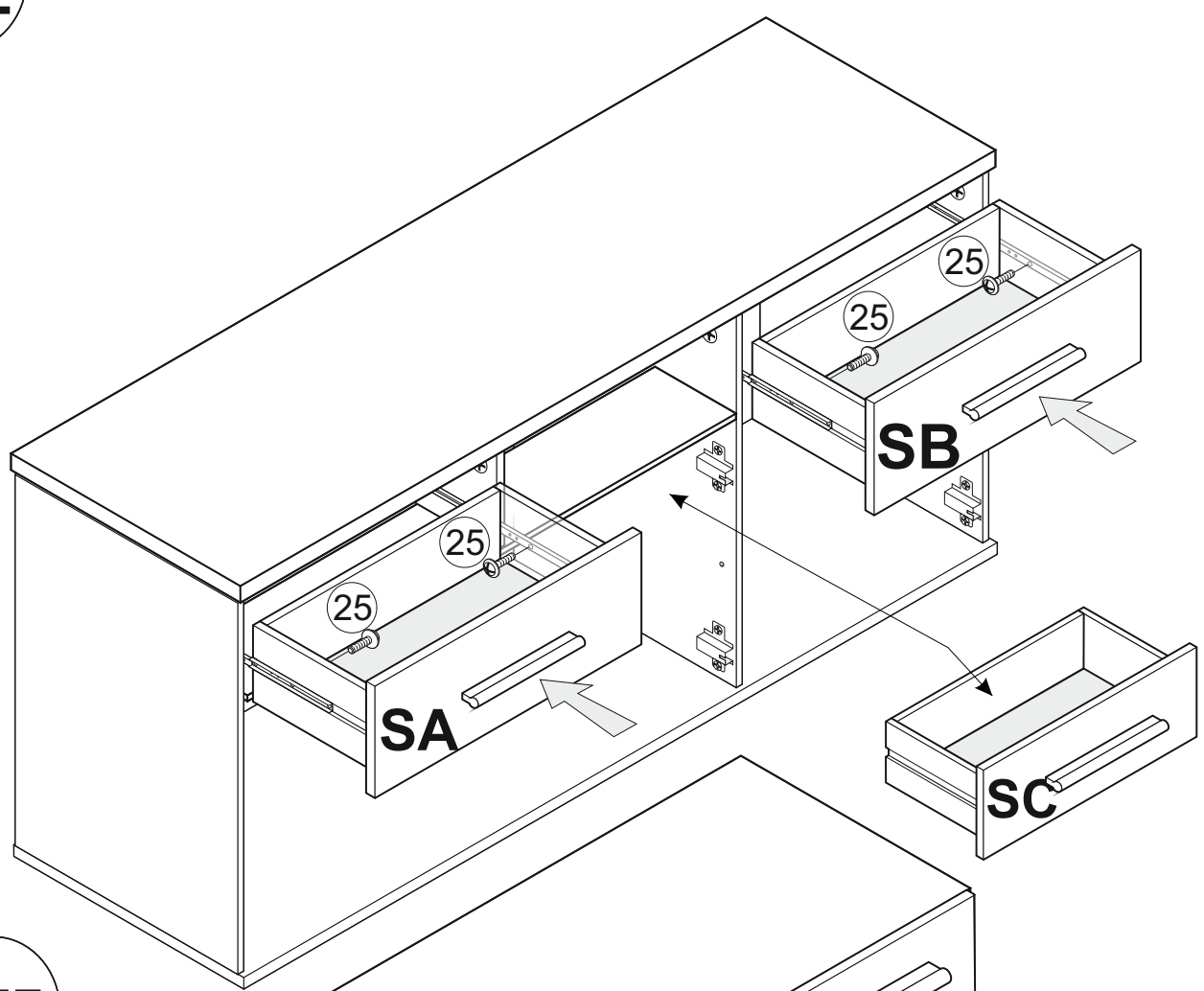
SC4	446mm x 156mm
S01	375mm x 100mm
SC2	402mm x 85mm
S03	375mm x 100mm
SC5	414mm x 378mm



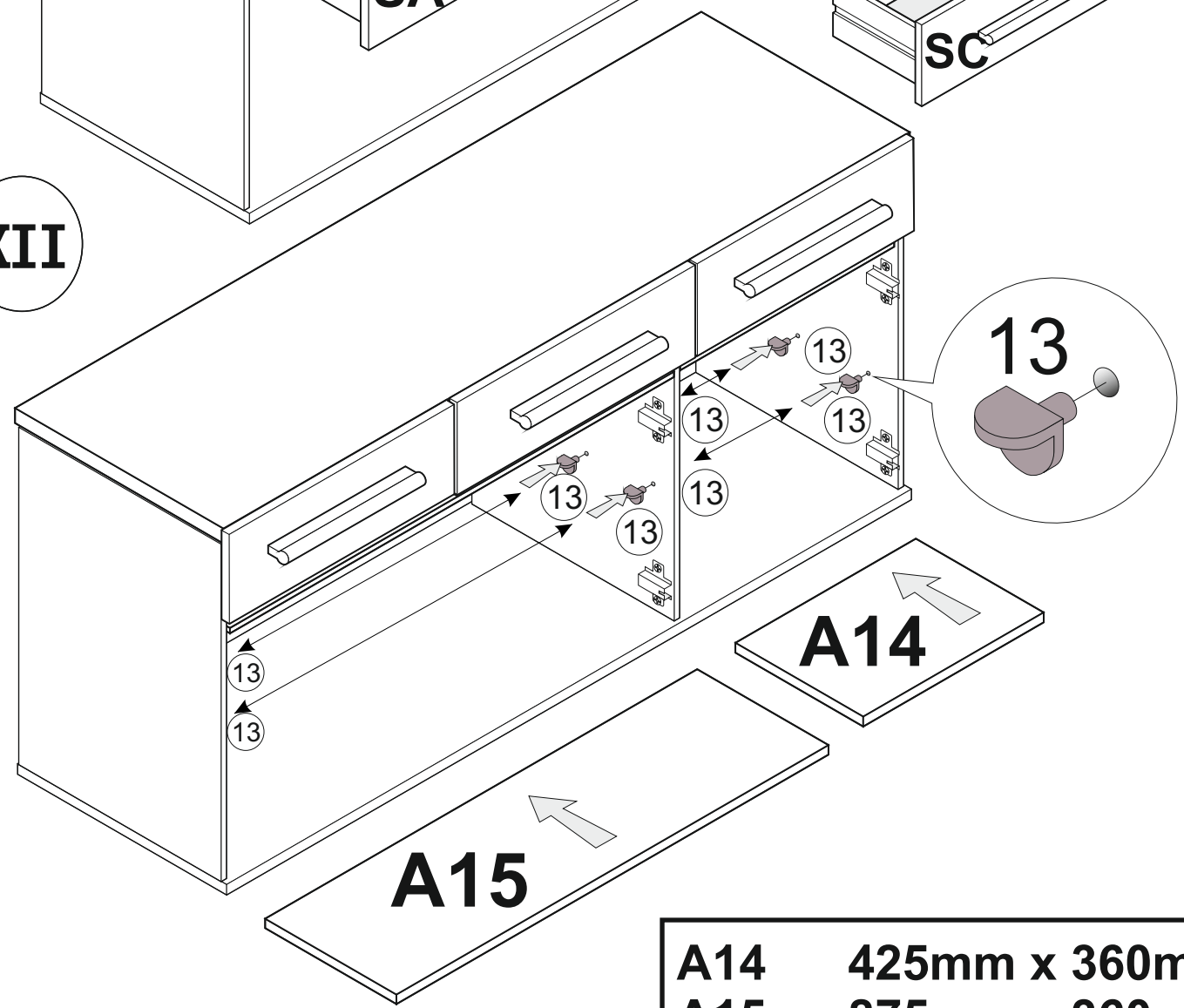
**a=b**



**XI**



**XII**



<b>A14</b>	<b>425mm x 360mm</b>
<b>A15</b>	<b>875mm x 360mm</b>

**XIII**

**A08 676mm x 446mm**

**A09<sub>x2</sub> 676mm x 446mm**

